

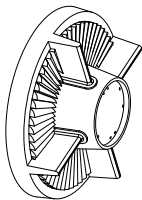


RESIN PARTS
FOR SCALE PLASTIC KITS

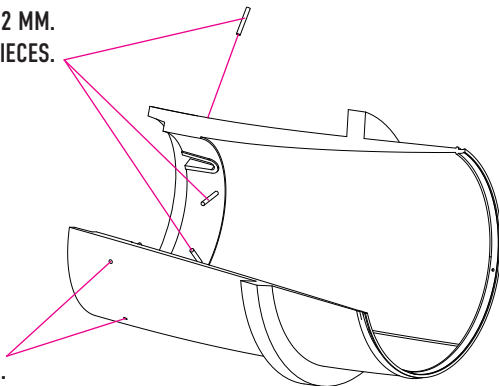
UH-1D HUEY EXHAUST NOZZLES FOR PANDA MODELS

INSTRUCTION **RSU35-011**

WIRE Ø 0.2 MM.
LENGTH 2.5 MM. 8 PIECES.



DRILL 8 HOLES Ø 0.2 MM.



e-mail: info@reskit.com.ua

WWW.RESKIT.COM.UA